

UHF Low Profile Antenna

LG Series



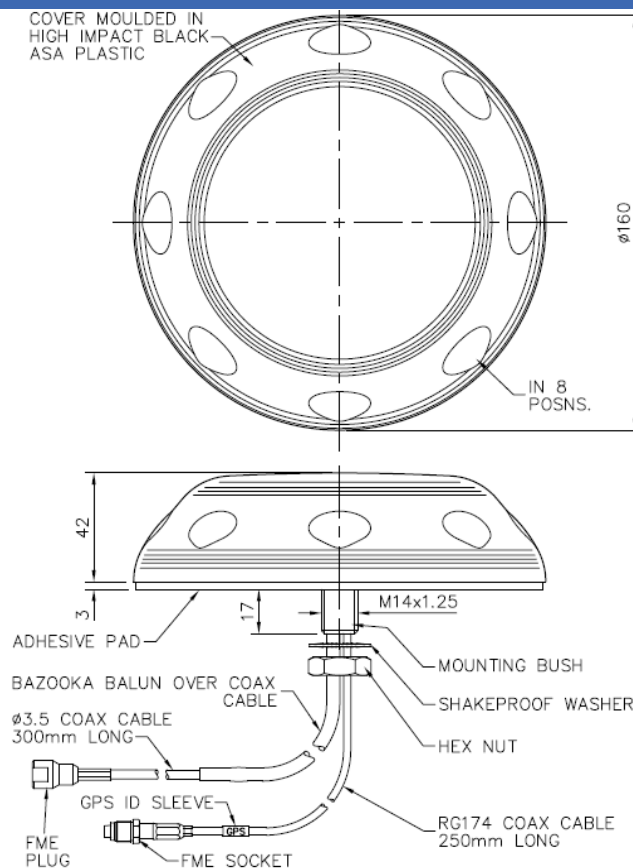
- Ideal for Transport/ Emergency Service Fleets
- Rugged design + Durable
- Low profile housing
- No ground plane required

The Panorama low profile antenna range has been designed to perform under extreme pressure. The outer housing is designed to withstand high impacts while maintaining functionality.

The antenna does not require a metallic ground plane and is tuned for mounting on non-metallic surfaces as standard*.

*Performance may vary if the product is mounted on a conductive ground plane Panorama can supply the product tuned to this mounting scenario

Technical Drawing



UHF Low Profile Antenna

LG Series

PANORAMA ANTENNAS

Electrical Data

Part No.	LG390	LG420	LG440	LG460
Electrical Data				
Frequency Range (MHz)	380-400	410-430	430-450	450-470
Peak Gain: Isotropic				2dBi
Compared to ¼ wave				0dB
Polarisation				Vertical
Pattern				Omni Directional
Impedance				50Ω
Max Input Power (W)				20
GPS Data				
Frequency Range (MHz)				1575
VSWR				< 2.0:1 ± 4MHz
Gain: LNA				26dB
Polarisation				Right Hand Circular
Operating Voltage				3 - 7V DC (fed via coax)
Current				Typical 14mA
Mechanical Data				
Dimensions (mm)	Height	42 (1.65")		
	Diameter	160 (6.3")		
Operating Temp (°C)				-40° / +80°C (-40° / 176°F)
Material				A.S.A
Colour				Black
Ingress Protection				IP65 (certificate no. 6267/2)
Mounting Data				
Fixing				Panel mount
Mounting hole size (mm)				14 (0.5")
Cable Data		Comms	GPS	
Type	C35		RG174	
Thickness (mm)	3.5 (0.1")		3 (0.1")	
Length (m)	0.5 (1.5')		0.3 (1')	
Termination	FME plug		FME socket	

Panorama Antennas Ltd

Frogmore, London, SW18 1HF, United Kingdom
 T: +44 (0)20 8877 4444 | F: +44 (0)20 8877 4477
 E: sales@panorama-antennas.com
 W: www.panorama-antennas.com

PANORAMA ANTENNAS

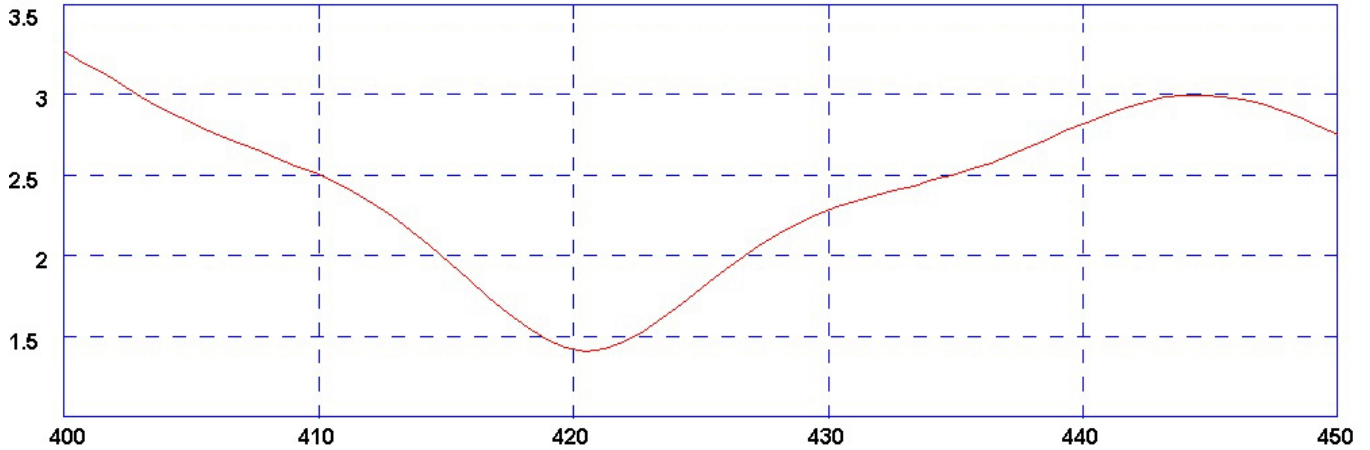
Waiver: The data given above is indicative of the performance of the product/s under particular conditions and does not imply a guarantee of performance. These specifications are subject to change without notice. Copyright © Panorama Antennas Ltd. All rights reserved.

UHF Low Profile Antenna

LG Series

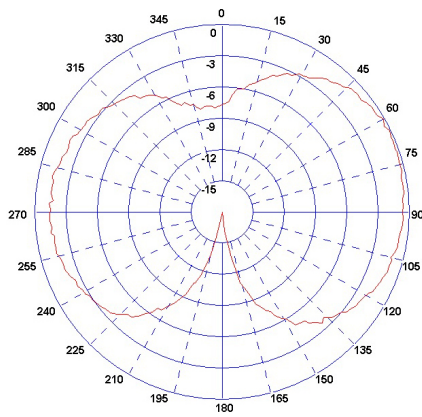
Electrical Data

Typical VSWR (420MHz)*

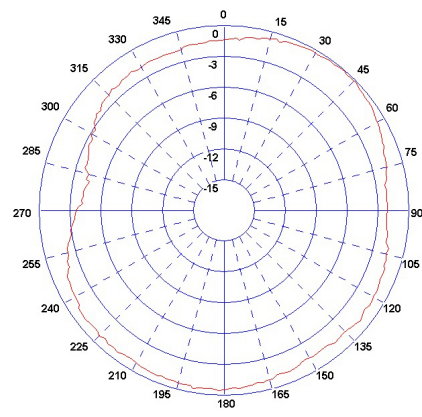


* Measurement taken in free space with 5m (17') of CS23

Typical E-Plane (420MHz)



Typical H-Plane (420MHz)



Typical E-Plane (GPS)

